

0-10V LED Driver



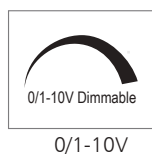
INTRODUCTION

The 0/1-10V series led driver provides the best compromise between an attractive price and qualified performance.

With a focus on application-related functions, the LED Driver range offers good quality and performance that ensures reliable operation of LED module.

Features

- Independent fixed output LED Driver
- Specific, optimized output current and voltage
- Output power dim, 4-60W
- Whole range are featured with flicker free performance
- Idea circuit design overcome luminaire flickering with voltage fluctuation.
- For luminaires of protection class I and protection class II
- Temperature protection as per EN / IEC61347
- Small, super compact dimensions
- Nominal life-time up to 50,000h



SELV



RoHS

CE

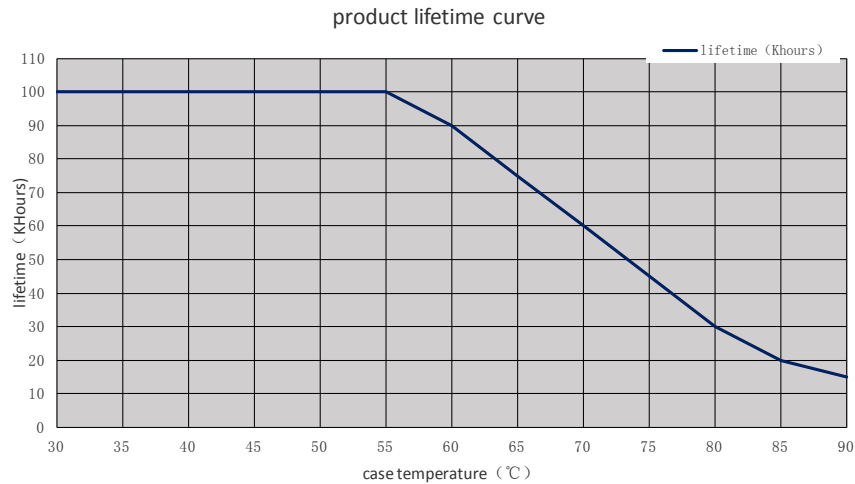
TECHNICAL DATASHEET

Driver Datasheet (0/1-10V-dimmable)

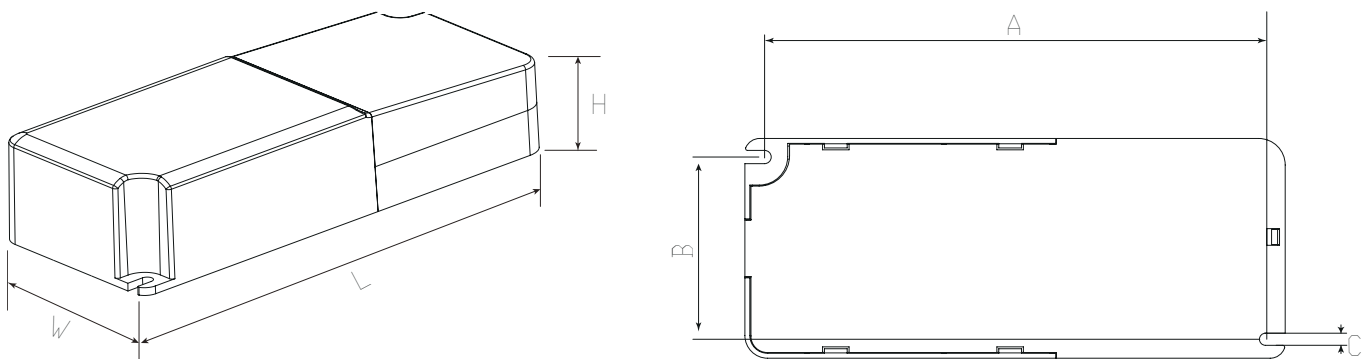
Code				PLD6060V	PLD60120V
Input	Input Power			24-45W	45-60W
	Input Voltage	180-264V			
	Rated Input Voltage(V)	200-240V			
	Frequency	50/60HZ			
	Input Current			≤0.28A	≤0.37A
	Rated Input Current			≤0.25A	≤0.34A
	Power Factor (typ)	0.9			
	Total Harmonic Distortion(THD)	<20% @230V			
	Efficiency (typ)			≥87%	≥89%
	Inrush Current (Typ.)			16A/214uS	24.2A/362uS
	Max Circuit Breaker	Please refer to" Circuit breaker Specification"			
	Leakage Current	<0.5mA/240V			
	No Load Wattage	<0.5w @230v			
Output	Output Voltage Range	28-40V			
	Rated Output Current			600-1050mA	1050-1500mA
	Line Regulation	±5%			
	Open Circuit Voltage (max)	50V			
	Setup time(note1)	<0.5S @230V			
	Flickering Index(IEEEStd 1789)	1%(NO RISK)			
Protection	Short Circuit Protection	Constant current limiting, recovers automatically after fault condition is removed			
	Over Voltage Protection	Shut down o/p voltage			
	Over Temperature Protection	Shut down o/p voltage, recovers automatically after temperature goes down			
Environment	Ambient temperature range ta	-20...+50 °C			
	Maximum case temperature tc	85°C (Measured on tc point indicated of the product label, tc not exceeded)			
	Operating temperature	-20...+45 °C			
	Storage temperature/humidity	-25...+85 °C; 5-95% RH			
	Relative humidity	5...85%			
	Environmental rating	Indoor			
	IP rating	IP20			
	Life time	>50,000H @25°C			
Safety&EMC	Safety standards	IEC/EN61347-1, IEC/EN61347-2-13, IEC/EN62384 independent,GB19510.14,GB19510.1 approved			
	Withstand voltage	I/P-O/P:3.75kVac,<5mA 60S;I/P-FG:1.6kVac,<5mA 60S;O/P-FG:0.5kVac,<5mA 60S			
	Isolation Resistance	I/P-O/P: 500VDC, ≥100M Ω			
	surge	IEC/EN61000-4-5(L-N:0.5KV,LN-PE 1KV)		IEC/EN61000-4-5(L-N:1KV,LN-PE 2KV)	
	EMC Emission	IEC/EN55015, IEC/EN61000-3-2			
	EMC Immunity	IEC/EN61000-4-2,3,4,5,6,8,11; IEC/EN61547			
Other	Dimension(mm)			144*80*32(L*W*H)	156*80*32(L*W*H)
	Weight			0.195KG	0.245KG

Product Referenced Lifetime Curve

The curve below illustrates the driver's lifetime date when the LED driver's Max. case temperature reaches 40 °C, 50°C, 60°C, 70°C, 80°C and 90°C



DIMENSION



Code	Dimension(mm)						Product Weight (Kg)		Package weight (Kg)		Carton Size(cm)	Qty/CTN
	L	W	H	A	B	C	N.W/PC	G.W/PC	N.W/CTN	G.W/CTN		
PLD6060V	144.0	80.0	32.0	135	70.3	3.5	0.195	0.21	18.63	19.25	46.5*34.5*24.5	60pcs
PLD60120V	156.0	80.0	32.0	148	70.3	3.5	0.245	0.26	15.84	16.46	46.5*34.5*24.5	60pcs

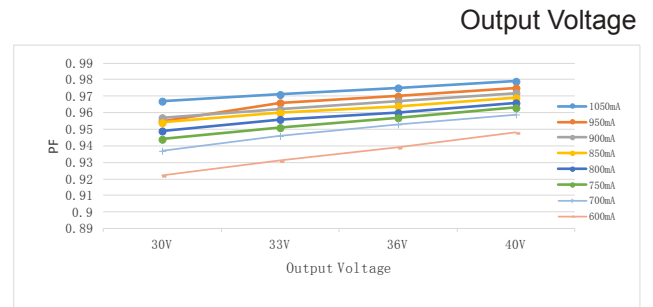
CIRCUIT BREAKER SPECIFICATION

Circuit Breaker Specification									
Code	B10	B13	B16	B20	C10	C13	C16	C20	
	10	13	16	20	10	13	16	20	
PLD6060V	18	24	30	37	23	30	38	47	
PLD60120V	8	10	12	16	13	17	21	26	

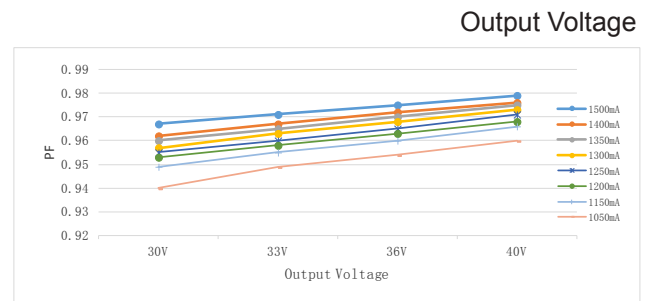
DIP SWITCH TABLE

POWER FACTOR CHARACTERISTIC

Code	Vout	Po Max	Io	1	2	3
PLD6060V	30-40V	42W	1050mA	ON	ON	ON
	30-40V	38W	950mA	-	ON	ON
	30-40V	36W	900mA	ON	-	ON
	30-40V	34W	850mA	ON	ON	-
	30-40V	32W	800mA	-	-	ON
	30-40V	30W	750mA	-	ON	-
	30-40V	28W	700mA	ON	-	-
	30-40V	24W	600mA	-	-	-



Code	Vout	Po Max	Io	1	2	3
PLD60120V	30-40V	60W	1500mA	ON	ON	ON
	30-40V	56W	1400mA	-	ON	ON
	30-40V	54W	1350mA	ON	-	ON
	30-40V	52W	1300mA	ON	ON	-
	30-40V	50W	1250mA	-	-	ON
	30-40V	48W	1200mA	-	ON	-
	30-40V	46W	1150mA	ON	-	-
	30-40V	42W	1050mA	-	-	-



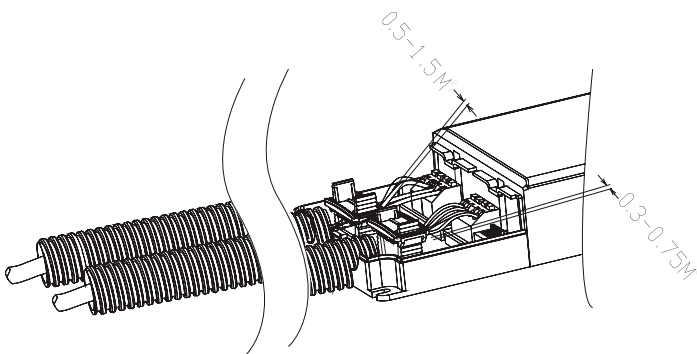
CIRCUIT DIAGRAM

No-load operation

In case of open circuit, protection will be activated, there will be 50V output voltage.

Glow wire test

According to EN 61347-1 with increased temperature of 960°C passed.



0/1-10V Dimming Connection

