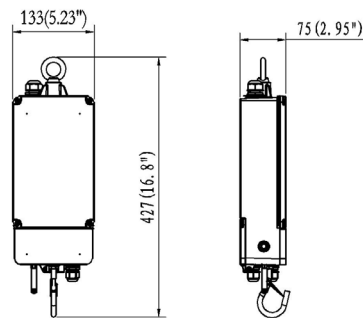


PURE EMERGENCY RANGE

LED High Bay Emergency Driver Kit



Emergency Driver for PL-SHB-120-200W
PLSHBED



PRODUCT FEATURES

- When switched to emergency operation power is cut to 10% of normal output
- Can be used with 0-10V dimmable high bay
- High output power
- Self-testing
- Battery over-temperature protection

EMERGENCY SPECIFICATIONS

PRODUCT	Emergency Driver	MATERIAL	Powder coated aluminium body
ORDERING CODE	PLSHBED	BATTERY	LiFePO4
POWER	10% of normal output	COLOUR	Black
VOLTAGE	AC220-240V	OPERATING TEMP	0°C ~+45°C
CHARGE	24 hours	IK RATING	IK08
DISCHARGE	>3 hours	IP RATING	IP65
DIMENSIONS	427 x 133 x75mm	CERTIFICATIONS	
WEIGHT	2.5Kg		
MOUNTING	Loop mounting		

